

The wise choice



Micro-Tronics

for all your filter needs

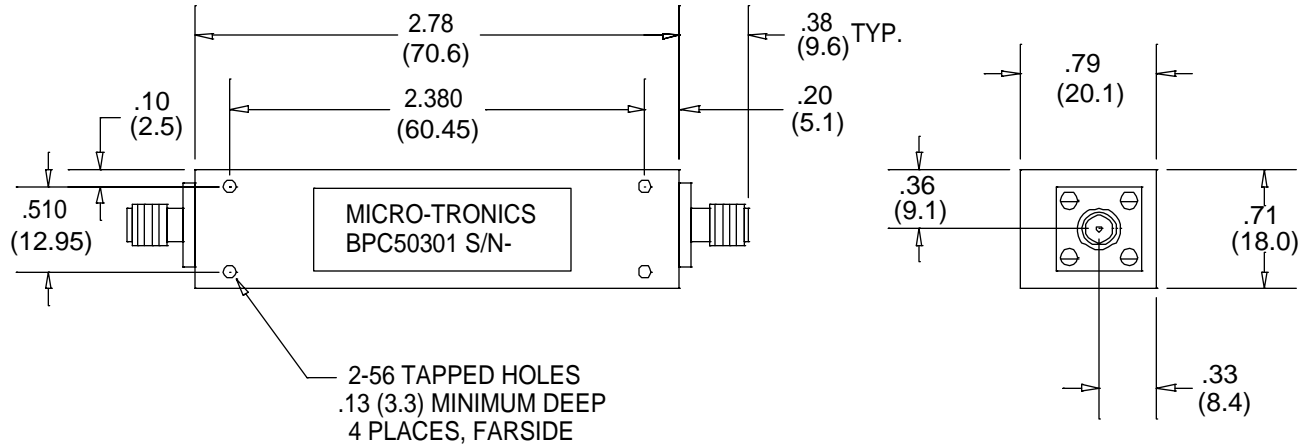
Micro-Tronics is an operating division of O.M. Jones, Inc.

Telephone: 209-532-1008

Facsimile: 209-532-1009

e-mail: sales@micro-tronics.net

-Model BPC50301



DIMENSION IN INCHES (MM)

Micro-Tronics Model BPC50301 was specifically designed to pass 3700 to 4200 MHz while maintaining low insertion loss and sharp rejection. The basic bandpass filter design can also be adapted to custom applications.

Specifications:	
Passband (MHz)	3700 to 4200
Passband Insertion Loss:	1.0 dB maximum
Passband VSWR:	1.25:1 maximum
Stopband:	40 dB min from 0 to 3385 and 4400 to 12000 MHz
Operating Power:	2W max

Connectors:

Model #:

BPC50301:	SMA Female – SMA Female
BPC50301-01:	SMA Male – SMA Female
BPC50301-02:	SMA Female – SMA Male
BPC50301-03:	SMA Male – SMA Male