

The wise choice



# Micro-Tronics

for all your filter needs

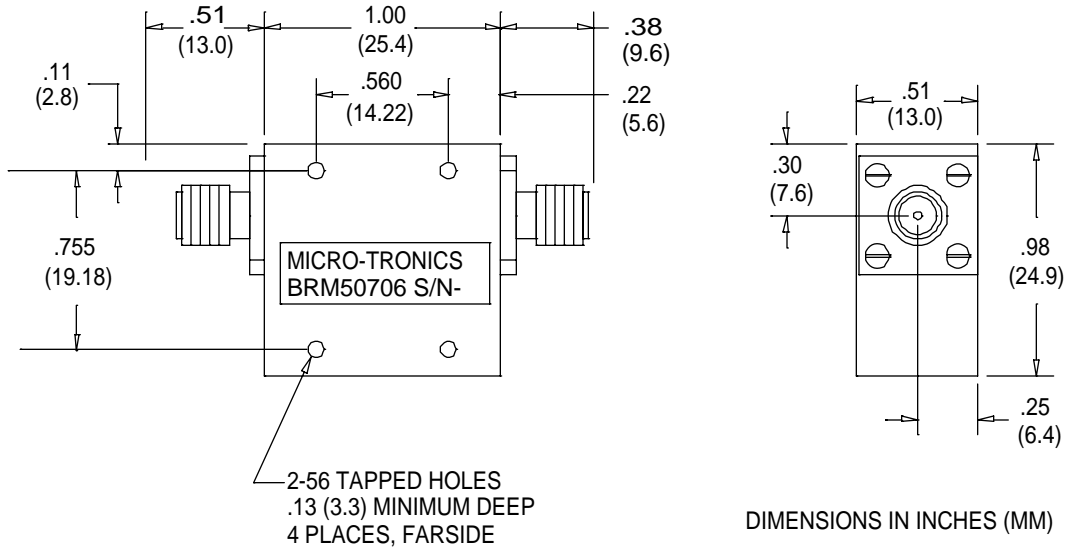
Micro-Tronics is an operating division of O.M. Jones, Inc.

Telephone: 209-532-1008

Facsimile: 209-532-1009

e-mail: sales@micro-tronics.net

## -Model BRM 50706



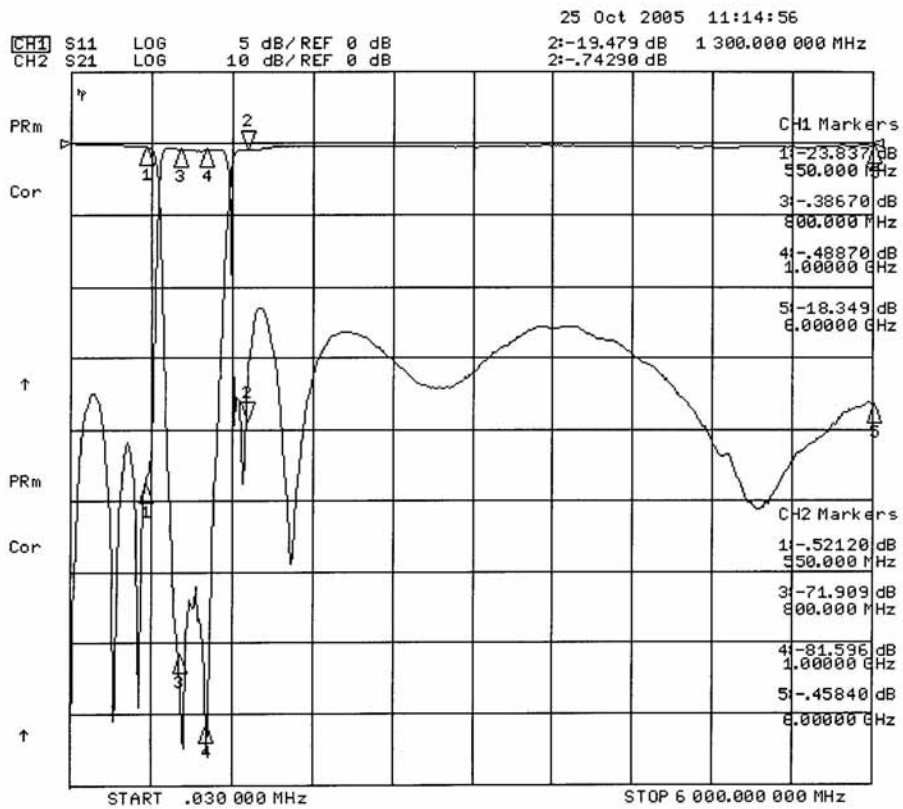
Micro-Tronics Model BRM50706 was specifically designed to reject 800 to 1000 MHz while maintaining low insertion loss and broad upper passband. The basic notch filter design can also be adapted to custom applications.

Specifications:	
Passbands (MHz)	0 to 550 and 1300 to 6000
Passband Insertion Loss:	1.5 dB maximum
Passband VSWR:	2.0:1 maximum
Notch Rejection:	50 dB min from 800 to 1000 MHz
Operating Power:	2W max

### Connectors:

#### Model #:

BRM50706:	SMA Female – SMA Female
BRM50706-01:	SMA Male – SMA Female
BRM50706-02:	SMA Female – SMA Male
BRM50706-03:	SMA Male – SMA Male



BRM50706  
 Typical Performance Data