

The wise choice



# Micro-Tronics

for all your filter needs

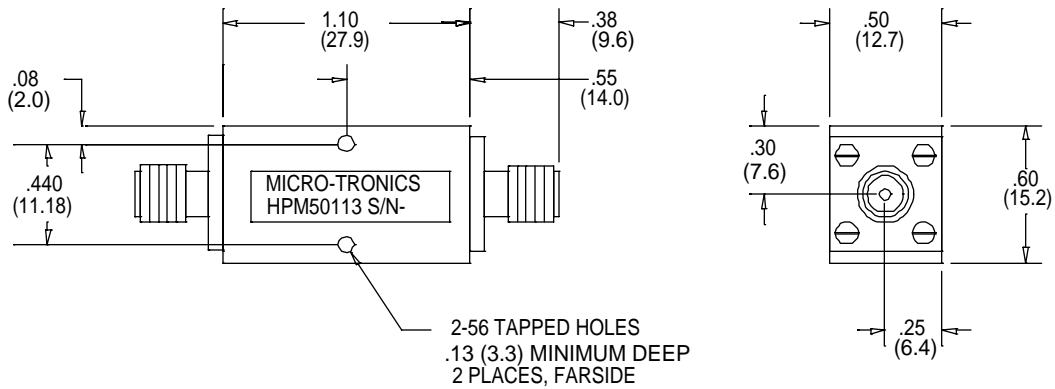
Micro-Tronics is an operating division of O.M. Jones, Inc.

Telephone: 209-532-1008

Facsimile: 209-532-1009

e-mail: sales@micro-tronics.net

## -Model HPM50113



DIMENSIONS IN INCHES (MM)

Micro-Tronics Model HPM50113 was specifically designed to reject DC to 1500 MHz while maintaining low insertion loss and a broad upper passband. The basic highpass filter design can also be adapted to custom applications.

<b>Specifications:</b>	
Passband (MHz)	2000 to 8000
Insertion Loss:	1.0 dB maximum
Passband VSWR:	1.7:1 maximum
Stopband:	60 dB min from 0 to 1500
Operating Power:	2W max

Connectors:

Model #:

HPM50113:	SMA Female – SMA Female
HPM50113-01:	SMA Male – SMA Female
HPM50113-02:	SMA Female – SMA Male
HPM50113-03:	SMA Male – SMA Male