

The wise choice



Micro-Tronics

for all your filter needs

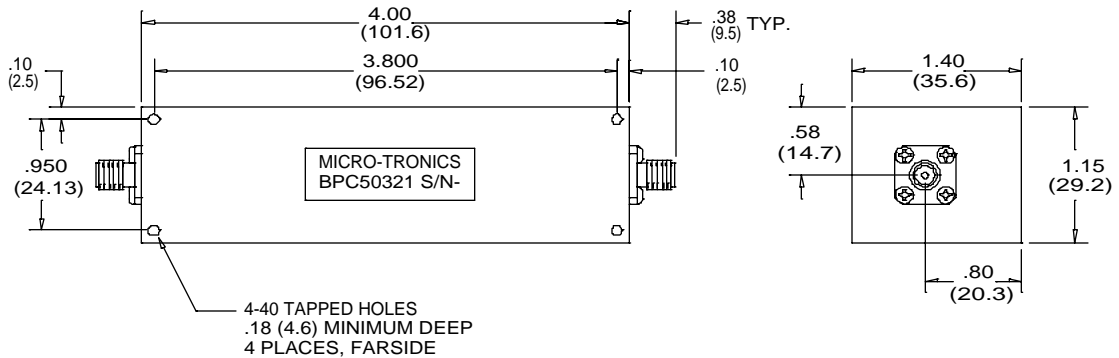
Micro-Tronics is an operating division of O.M. Jones, Inc.

Telephone: 209-532-1008

Facsimile: 209-532-1009

e-mail: sales@micro-tronics.net

-Model BPC50321



DIMENSIONS IN INCHES (MM)

Micro-Tronics Model BPC50321 was specifically designed to pass 1435 to 1540 MHz while maintaining low insertion loss and sharp rejection. The basic bandpass filter design can also be adapted to custom applications.

Specifications:	
Passband (MHz)	1435 to 1540
Passband Insertion Loss:	0.5 dB maximum
Passband VSWR:	1.35:1 maximum
Stopband:	60 dB min from 0 to 1150 and 1750 to 5000 MHz
Operating Power:	2W max

Connectors:

Model #:

BPC50321:	SMA Female – SMA Female
BPC50321-01:	SMA Male – SMA Female
BPC50321-02:	SMA Female – SMA Male
BPC50321-03:	SMA Male – SMA Male