

The wise choice



Micro-Tronics

for all your filter needs

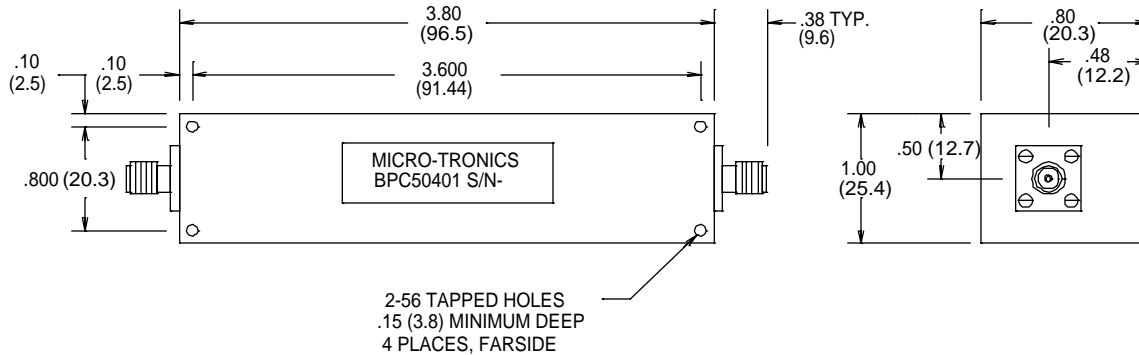
Micro-Tronics is an operating division of O.M. Jones, Inc.

Telephone: 209-532-1008

Facsimile: 209-532-1009

e-mail: sales@micro-tronics.net

-Model BPC50401



DIMENSIONS IN INCHES (MM)

Micro-Tronics Model BPC50401 was specifically designed to pass 2.00 to 4.00 GHz while maintaining low insertion loss and sharp rejection. The basic bandpass filter design can also be adapted to custom applications.

Specifications:	
Passband (GHz)	2.00 to 4.00
Passband Insertion Loss:	1.0 dB maximum
Passband VSWR:	1.5:1 maximum
Stopband:	60 dB min from 0 to 1.10 and 4.90 to 12.0 GHz
Operating Power:	2W max

Connectors:

Model #:

BPC50401:	SMA Female – SMA Female
BPC50401-01:	SMA Male – SMA Female
BPC50401-02:	SMA Female – SMA Male
BPC50401-03:	SMA Male – SMA Male