

The wise choice



# Micro-Tronics

for all your filter needs

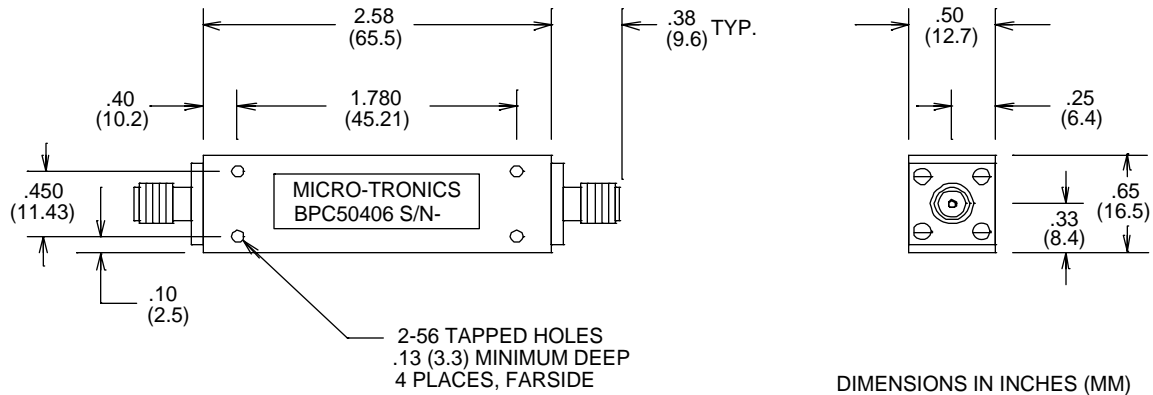
Micro-Tronics is an operating division of O.M. Jones, Inc.

Telephone: 209-532-1008

Facsimile: 209-532-1009

e-mail: sales@micro-tronics.net

## -Model BPC50406



Micro-Tronics Model BPC50406 was specifically designed to pass 8.00 to 12.00 GHz while maintaining low insertion loss and sharp rejection. The basic bandpass filter design can also be adapted to custom applications.

Specifications:	
Passband (GHz)	8.00 to 12.00
Passband Insertion Loss:	1.0 dB maximum
Passband VSWR:	1.5:1 maximum
Stopband:	50 dB min from 0 to 7.00 and 12.80 to 26.5 GHz
Operating Power:	2W max

### Connectors:

#### Model #:

BPC50406:	SMA Female – SMA Female
BPC50406-01:	SMA Male – SMA Female
BPC50406-02:	SMA Female – SMA Male
BPC50406-03:	SMA Male – SMA Male