

The wise choice



Micro-Tronics

for all your filter needs

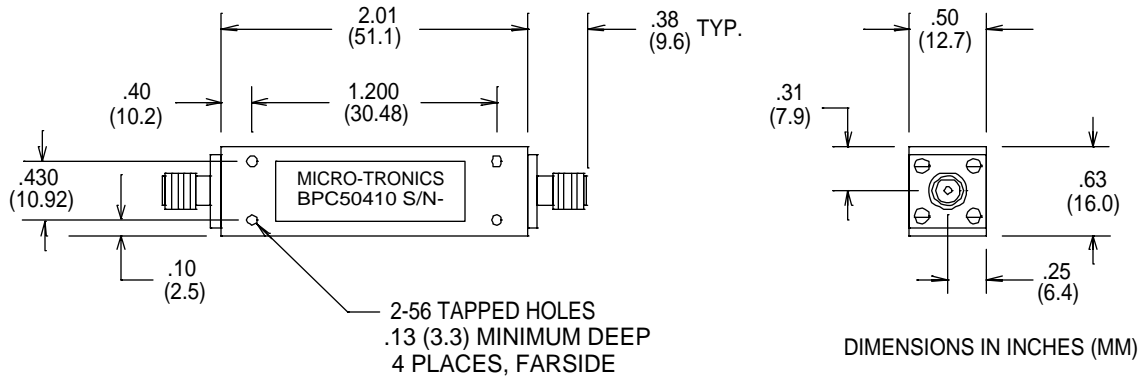
Micro-Tronics is an operating division of O.M. Jones, Inc.

Telephone: 209-532-1008

Facsimile: 209-532-1009

e-mail: sales@micro-tronics.net

-Model BPC50410



Micro-Tronics Model BPC50410 was specifically designed to pass 10.00 to 15.00 GHz while maintaining low insertion loss and sharp rejection. The basic bandpass filter design can also be adapted to custom applications.

Specifications:	
Passband (GHz)	10.00 to 15.00
Passband Insertion Loss:	1.0 dB maximum
Passband VSWR:	1.5:1 maximum
Stopband:	50 dB min from 0 to 8.0 and 16.2 to 26.5 GHz
Operating Power:	2W max

Connectors:

Model #:

BPC50410:	SMA Female – SMA Female
BPC50410-01:	SMA Male – SMA Female
BPC50410-02:	SMA Female – SMA Male
BPC50410-03:	SMA Male – SMA Male