

The wise choice



# Micro-Tronics

for all your filter needs

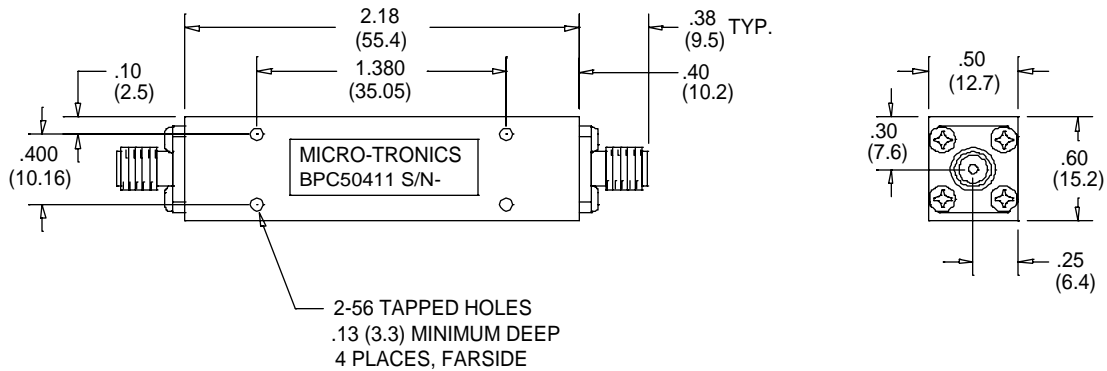
Micro-Tronics is an operating division of O.M. Jones, Inc.

Telephone: 209-532-1008

Facsimile: 209-532-1009

e-mail: sales@micro-tronics.net

## -Model BPC50411



DIMENSIONS IN INCHES (MM)

Micro-Tronics Model BPC50411 was specifically designed to pass 12.0 to 18.0GHz while maintaining low insertion loss and sharp rejection. The basic bandpass filter design can also be adapted to custom applications.

|                          |   |
|--------------------------|---|
| Specifications:          |   |
| Passband (GHz)           | 12.0 to 18.0                                  |
| Passband Insertion Loss: | 1.0 dB maximum                                |
| Passband VSWR:           | 1.6:1 maximum                                 |
| Stopband:                | 50 dB min from 0 to 10.5 and 19.0 to 26.5 GHz |
| Operating Power:         | 2W max  |

### Connectors:

#### Model #:

|              |                         |
|--------------|-------------------------|
| BPC50411:    | SMA Female – SMA Female |
| BPC50411-01: | SMA Male – SMA Female   |
| BPC50411-02: | SMA Female – SMA Male   |
| BPC50411-03: | SMA Male – SMA Male     |

## BPC50411 TYPICAL RESPONSE

