

The wise choice



Micro-Tronics

for all your filter needs

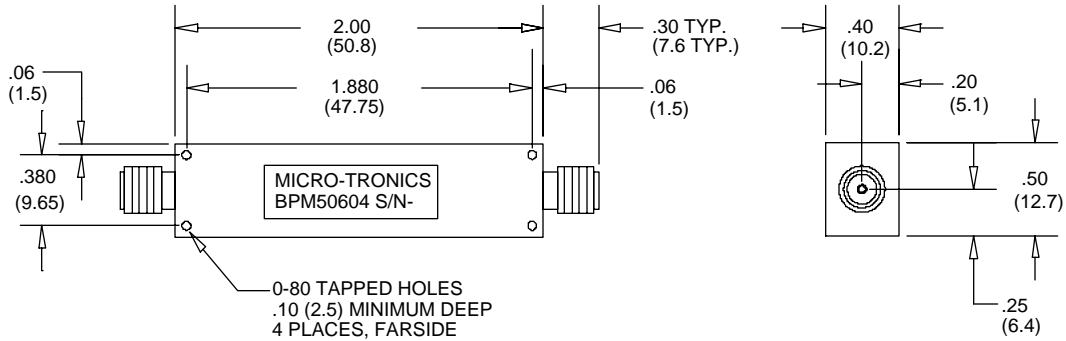
Micro-Tronics is an operating division of O.M. Jones, Inc.

Telephone: 209-532-1008

Facsimile: 209-532-1009

e-mail: sales@micro-tronics.net

-Model BPM50604



DIMENSIONS IN INCHES (MM)

Micro-Tronics Model BPM50604 was specifically designed to pass 500 to 2000 MHz while maintaining low insertion loss and sharp rejection. The basic bandpass filter design can also be adapted to custom applications.

Specifications:	
Passband (MHz)	500 to 2000
Passband Insertion Loss:	1.5 dB maximum
Passband VSWR:	1.7:1 maximum
Stopband:	50 dB min from 0 to 400 and 2500 to 8000 MHz
Operating Power:	2W max

Connectors:

Model #:

BPM50604:	SMA Female – SMA Female
BPM50604-01:	SMA Male – SMA Female
BPM50604-02:	SMA Female – SMA Male
BPM50604-03:	SMA Male – SMA Male