

The wise choice



Micro-Tronics

for all your filter needs

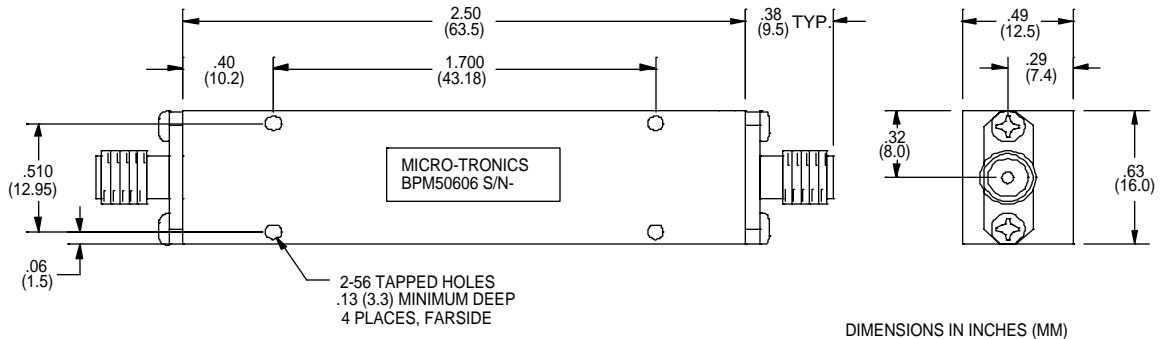
Micro-Tronics is an operating division of O.M. Jones, Inc.

Telephone: 209-532-1008

Facsimile: 209-532-1009

e-mail: sales@micro-tronics.net

-Model BPM50606



Micro-Tronics Model BPM50606 was specifically designed to pass 1000 to 2000 MHz while maintaining low insertion loss and sharp rejection. The basic bandpass filter design can also be adapted to custom applications.

Specifications:	
Passband (MHz)	1000 to 2000
Passband Insertion Loss:	1.0 dB maximum
Passband VSWR:	1.5:1 maximum
Stopband:	60 dB min from 0 to 500 and 3000 to 18000 MHz
Operating Power:	2W max

Connectors:

Model #:

BPM50606:	SMA Female – SMA Female
BPM50606-01:	SMA Male – SMA Female
BPM50606-02:	SMA Female – SMA Male
BPM50606-03:	SMA Male – SMA Male