

The wise choice



Micro-Tronics

for all your filter needs

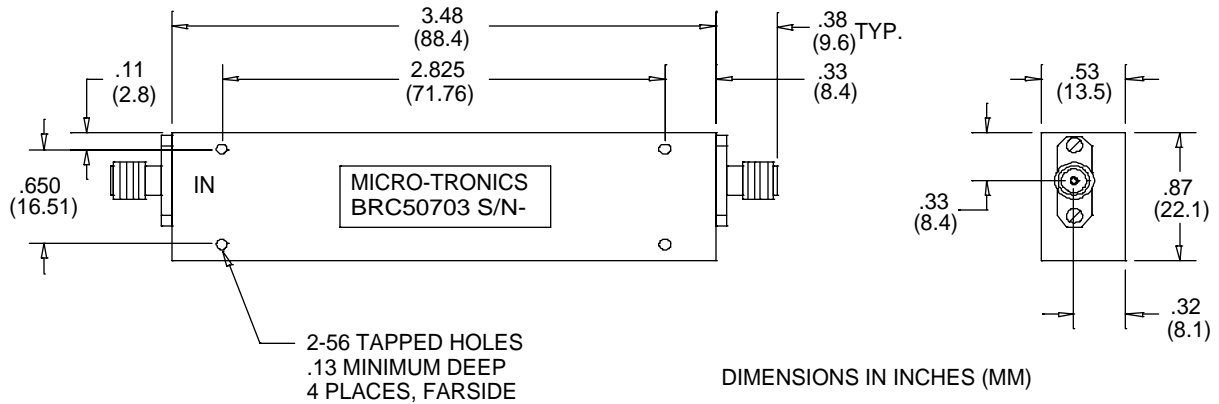
Micro-Tronics is an operating division of O.M. Jones, Inc.

Telephone: 209-532-1008

Facsimile: 209-532-1009

e-mail: sales@micro-tronics.net

-Model BRC50703



Micro-Tronics Model BRC50703 was specifically designed to reject the 5150 to 5350 MHz portion of the IEEE 802.11A band while maintaining low insertion loss and a broad upper passband. The basic notch filter design can also be adapted to custom applications in the 5000 to 6000 MHz frequency range for similar bandwidths.

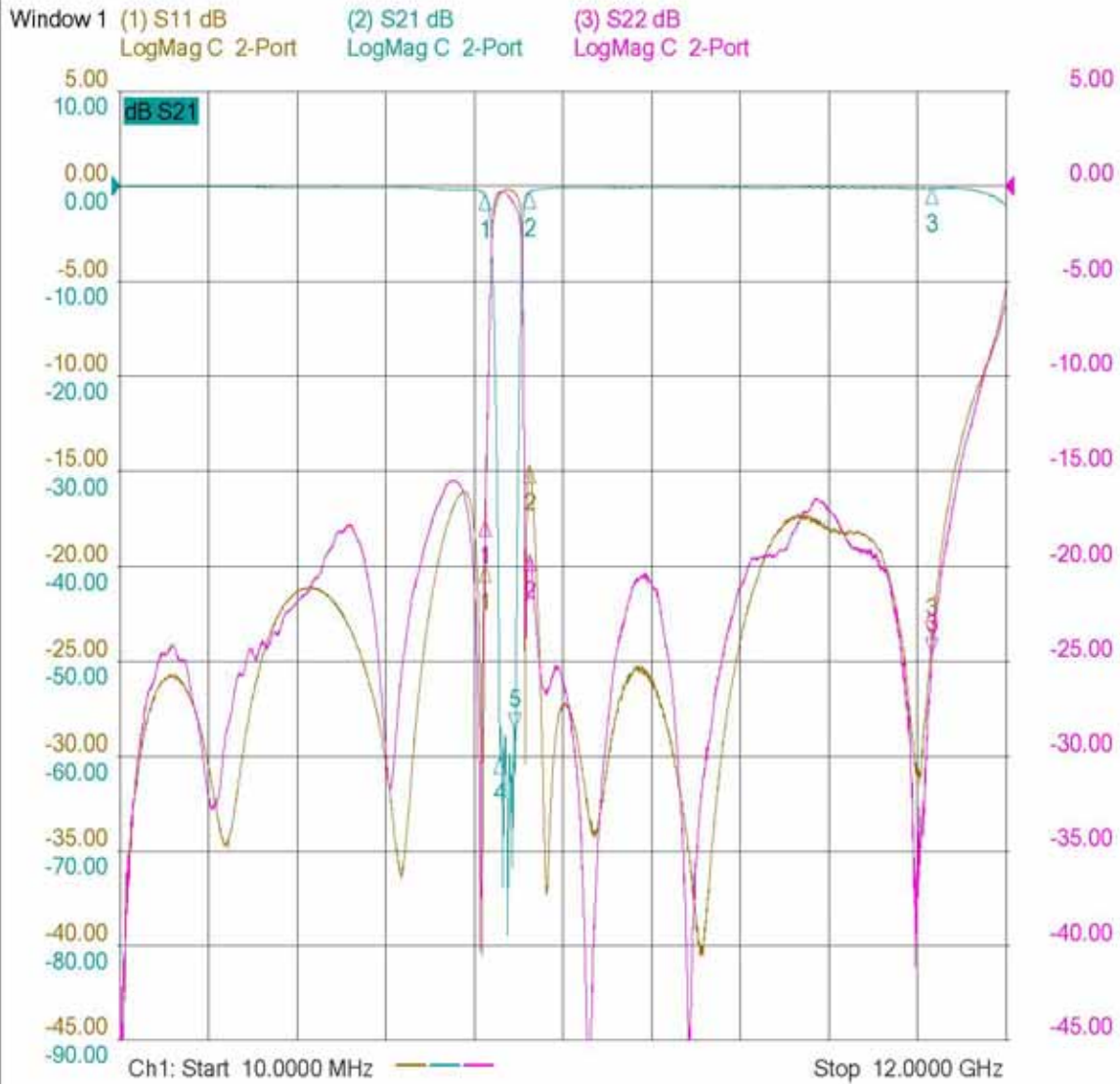
Specifications:	
Passbands (MHz)	0 to 4950, 5550 to 11000
Insertion Loss:	2.0 dB maximum
Passband VSWR:	1.7:1 maximum
Stopband:	45 dB min from 5150 to 5350
Operating Power:	2W max

Connectors:

Model #:

BRC50703:	SMA Female – SMA Female
BRC50703-01:	SMA Male – SMA Female
BRC50703-02:	SMA Female – SMA Male
BRC50703-03:	SMA Male – SMA Male

BRC50703 TEST DATA



Channel Settings								
Channel	Sweep Type	Points	Start (MHz)	Stop (GHz)	IF BW (kHz)	Sweep Time (s)	Pow 1 (dBm)	Pow 2 (dBm)
1	LinFreq	3201	10.000000	12.000000	50.000000	0.087387	2.000000	2.000000

Trace Attributes								
Window	ID	Trace	Channel	Correction	Options	Marker	Position	Response
1	1	S11	1	C 2-Port		1	4950 MHz	-19.990 dB
						2	5550 MHz	-14.733 dB
						3	11000 MHz	-23.712 dB
2	S21	1	C 2-Port			1	4950 MHz	-0.91143 dB
						2	5550 MHz	-0.69363 dB
						3	11000 MHz	-0.23291 dB
						4	5150 MHz	-59.301 dB
						5	5350 MHz	-60.966 dB
3	S22	1	C 2-Port			1	4950 MHz	-17.566 dB
						2	5550 MHz	-19.397 dB
						3	11000 MHz	-24.615 dB