

The wise choice



# Micro-Tronics

for all your filter needs

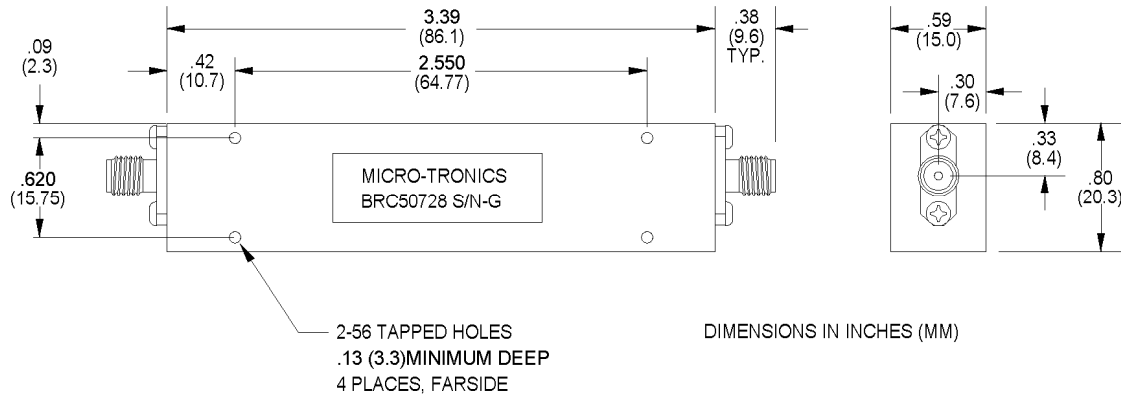
Micro-Tronics is an operating division of O.M. Jones, Inc.

Telephone: 209-532-1008

Facsimile: 209-532-1009

e-mail: sales@micro-tronics.net

## -Model BRC50728



Micro-Tronics Model BRC50728 was specifically designed to reject the 5925 to 6425 MHz portion of the IEEE 802.11A band while maintaining low insertion loss and a broad upper passband. The basic notch filter design can also be adapted to custom applications.

Specifications:	
Passbands (MHz)	0 to 5625, 6725 to 11500
Insertion Loss:	1.5 dB maximum
Passband VSWR:	2.0:1 maximum
Stopband:	50 dB min from 5925 to 6425
Operating Power:	2W max

### Connectors:

Model #:

BRC50728: SMA Female . SMA Female  
 BRC50728-01: SMA Male . SMA Female  
 BRC50728-02: SMA Female . SMA Male  
 BRC50728-03: SMA Male . SMA Male

### BRC50728 TEST DATA

