

The wise choice



Micro-Tronics

for all your filter needs

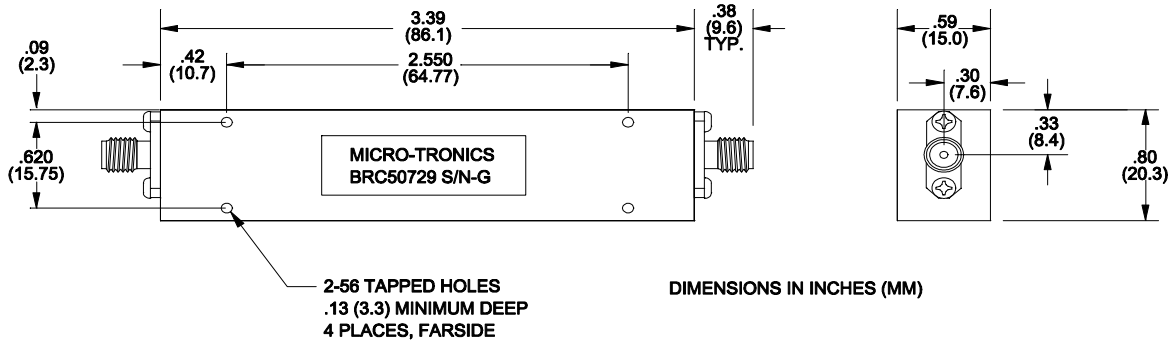
Micro-Tronics is an operating division of O.M. Jones, Inc.

Telephone: 209-532-1008

Facsimile: 209-532-1009

e-mail: sales@micro-tronics.net

-Model BRC50729



Micro-Tronics Model BRC50729 was specifically designed to reject the 6425 to 6525 MHz portion of the IEEE 802.11A band while maintaining low insertion loss and a broad upper passband. The basic notch filter design can also be adapted to custom applications.

Specifications:	
Passbands (MHz)	0 to 6175, 6775 to 12000
Insertion Loss:	1.5 dB maximum
Passband VSWR:	2.0:1 maximum
Stopband:	50 dB min from 6425 to 6525
Operating Power:	2W max

Connectors:

Model #:

BRC50729: SMA Female . SMA Female
 BRC50729-01: SMA Male . SMA Female
 BRC50729-02: SMA Female . SMA Male
 BRC50729-03: SMA Male . SMA Male

BRC50729 TEST DATA

