

The wise choice



Micro-Tronics

for all your filter needs

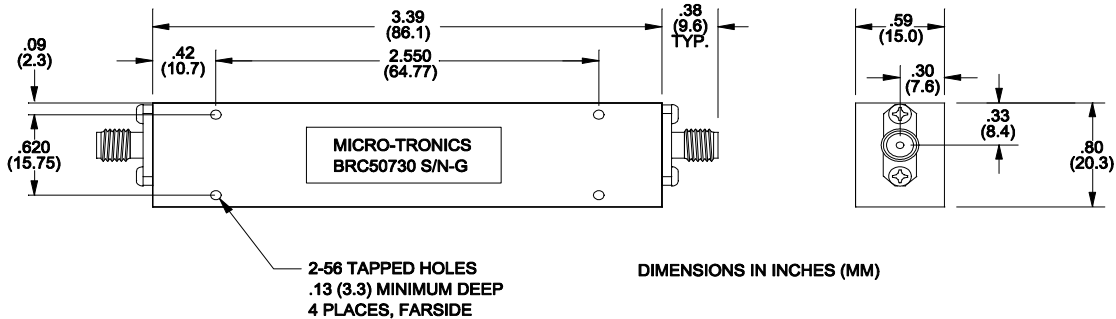
Micro-Tronics is an operating division of O.M. Jones, Inc.

Telephone: 209-532-1008

Facsimile: 209-532-1009

e-mail: sales@micro-tronics.net

-Model BRC50730



Micro-Tronics Model BRC50730 was specifically designed to reject the 6525 to 6875 MHz portion of the IEEE 802.11A band while maintaining low insertion loss and a broad upper passband. The basic notch filter design can also be adapted to custom applications.

| | |
|------------------|-----------------------------|
| Specifications: | |
| Passbands (MHz) | 0 to 6225, 7175 to 12000 |
| Insertion Loss: | 1.5 dB maximum |
| Passband VSWR: | 2.0:1 maximum |
| Stopband: | 50 dB min from 6525 to 6875 |
| Operating Power: | 2W max |

Connectors:

Model #:

| | |
|--------------|-------------------------|
| BRC50730: | SMA Female . SMA Female |
| BRC50730-01: | SMA Male . SMA Female |
| BRC50730-02: | SMA Female . SMA Male |
| BRC50730-03: | SMA Male . SMA Male |

BRC50730 TEST DATA

