

The wise choice



# Micro-Tronics

for all your filter needs

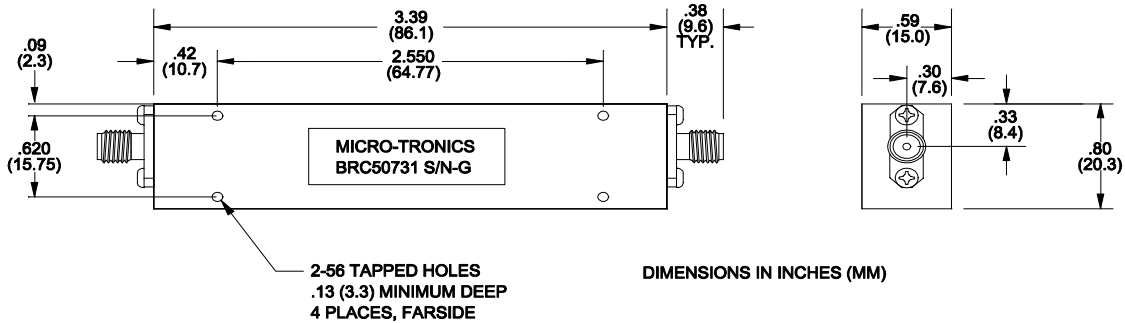
Micro-Tronics is an operating division of O.M. Jones, Inc.

Telephone: 209-532-1008

Facsimile: 209-532-1009

e-mail: sales@micro-tronics.net

## -Model BRC50731



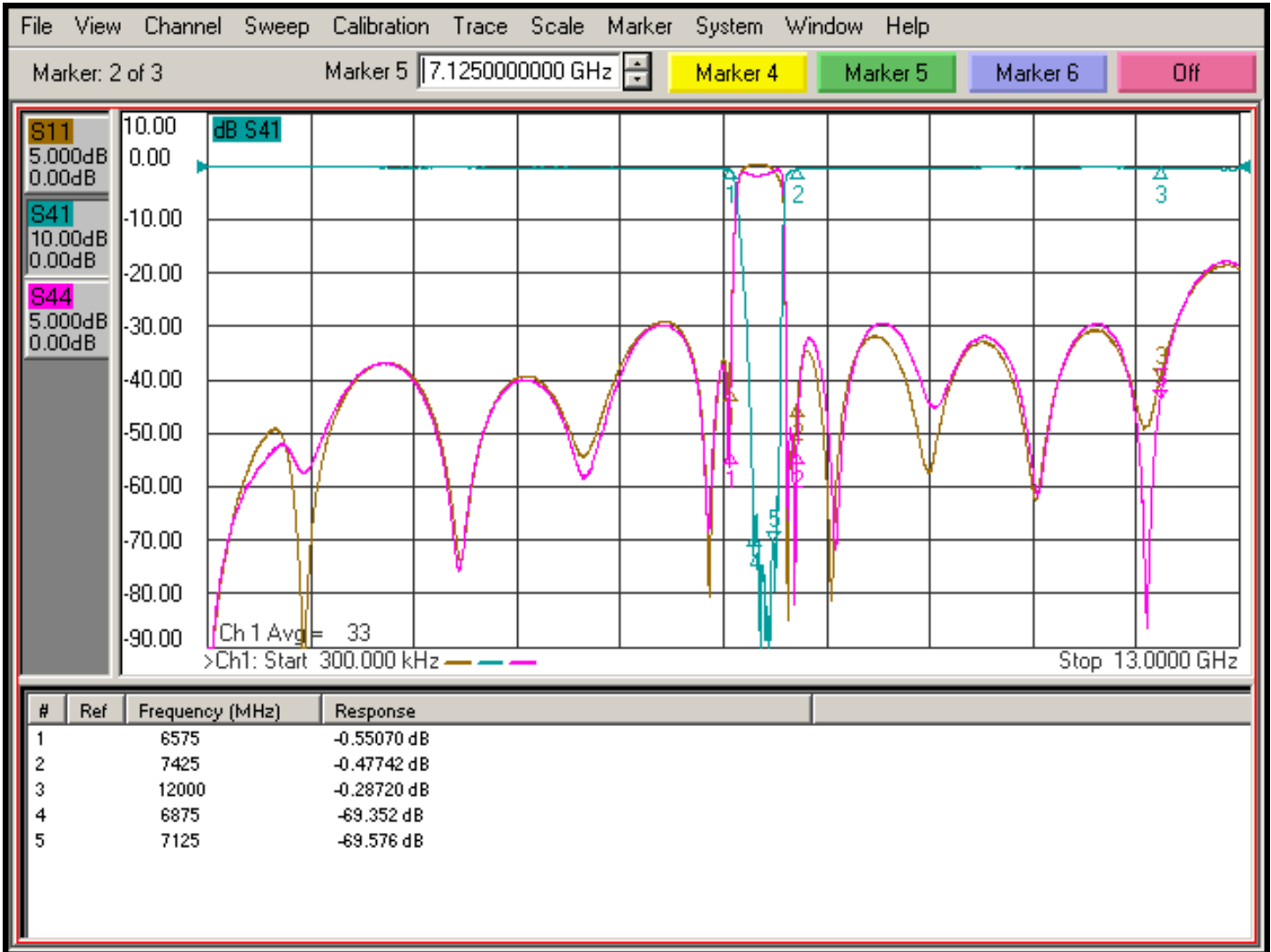
Micro-Tronics Model BRC50731 was specifically designed to reject the 6875 to 7125 MHz portion of the Wi-Fi 6 band while maintaining low insertion loss and a broad upper passband. The basic notch filter design can also be adapted to custom applications.

Specifications:	
Passbands (MHz)	0 to 6575, 7425 to 12000
Insertion Loss:	1.5 dB maximum
Passband VSWR:	2.0:1 maximum
Stopband:	50 dB min from 6875 to 7125
Operating Power:	2W max

### Connectors:

#### Model #:

BRC50731:	SMA Female . SMA Female
BRC50731-01:	SMA Male . SMA Female
BRC50731-02:	SMA Female . SMA Male
BRC50731-03:	SMA Male . SMA Male



BRC50731 TEST DATA