

The wise choice



# Micro-Tronics

for all your filter needs

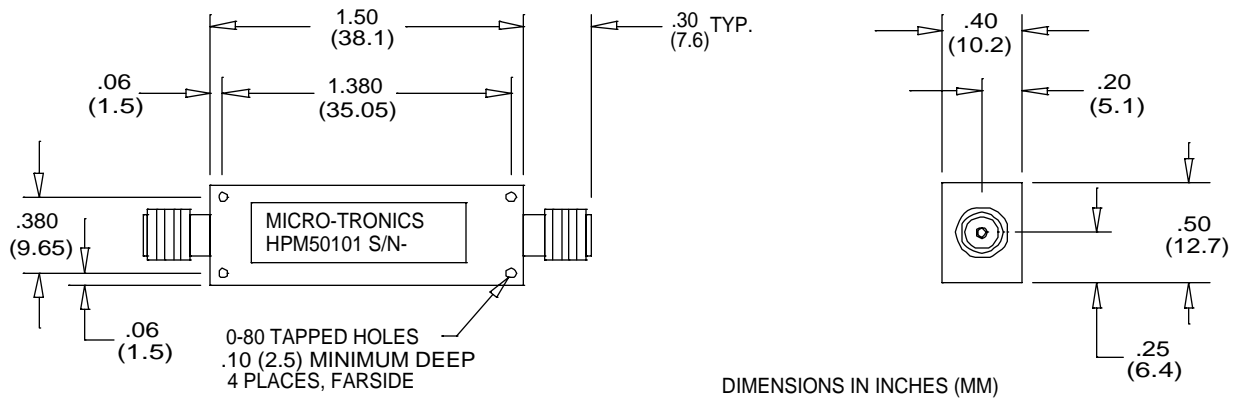
Micro-Tronics is an operating division of O.M. Jones, Inc.

Telephone: 209-532-1008

Facsimile: 209-532-1009

e-mail: sales@micro-tronics.net

## -Model HPM50101



Micro-Tronics Model HPM50101 was specifically designed to reject DC to 80 MHz while maintaining low insertion loss and a broad upper passband. The basic highpass filter design can also be adapted to custom applications.

Specifications:	
Passband (MHz)	100 to 500
Insertion Loss:	1.0 dB maximum
Passband VSWR:	1.5:1 maximum
Stopband:	60 dB min from 0 to 80 MHz
Operating Power:	2W max

### Connectors:

#### Model #:

HPM50101:	SMA Female – SMA Female
HPM50101-01:	SMA Male – SMA Female
HPM50101-02:	SMA Female – SMA Male
HPM50101-03:	SMA Male – SMA Male

