

The wise choice



Micro-Tronics

for all your filter needs

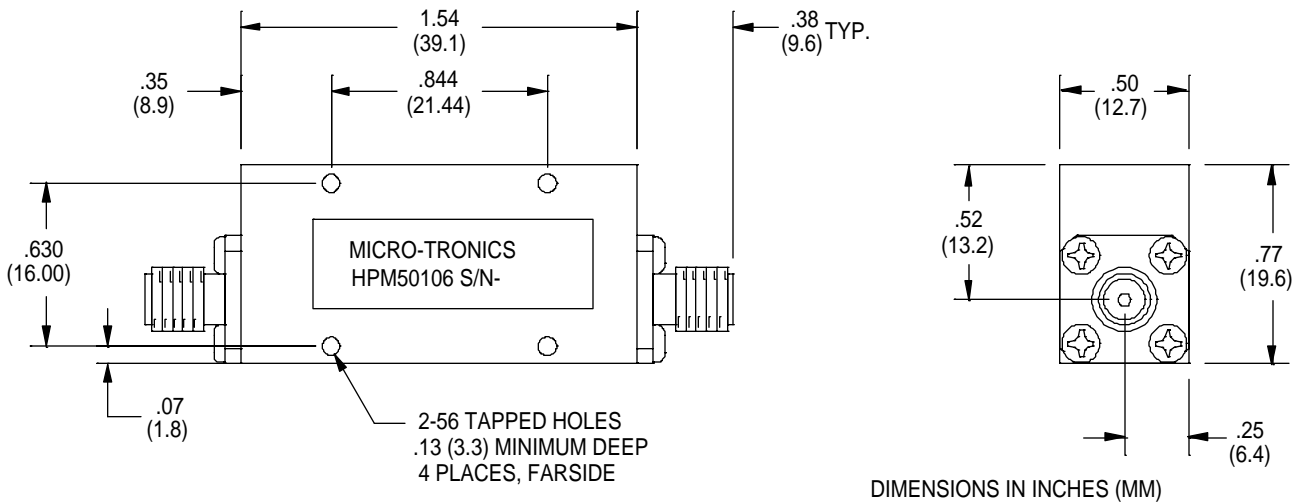
Micro-Tronics is an operating division of O.M. Jones, Inc.

Telephone: 209-532-1008

Facsimile: 209-532-1009

e-mail: sales@micro-tronics.net

-Model HPM50106



Micro-Tronics Model HPM50106 was specifically designed to reject DC to 5.85 GHz and pass 7 GHz while maintaining low insertion loss and a broad upper passband. The basic highpass filter design can also be adapted to custom applications.

Specifications:	
Passband (MHz)	7000 to 18000
Insertion Loss:	1.5 dB maximum
Passband VSWR:	2.0:1 maximum
Stopband:	60 dB min from 0 to 5850 MHz
Operating Power:	2W max

Connectors:

Model #:

HPM50106:	SMA Female – SMA Female
HPM50106-01:	SMA Male – SMA Female
HPM50106-02:	SMA Female – SMA Male
HPM50106-03:	SMA Male – SMA Male