

The wise choice



Micro-Tronics

for all your filter needs

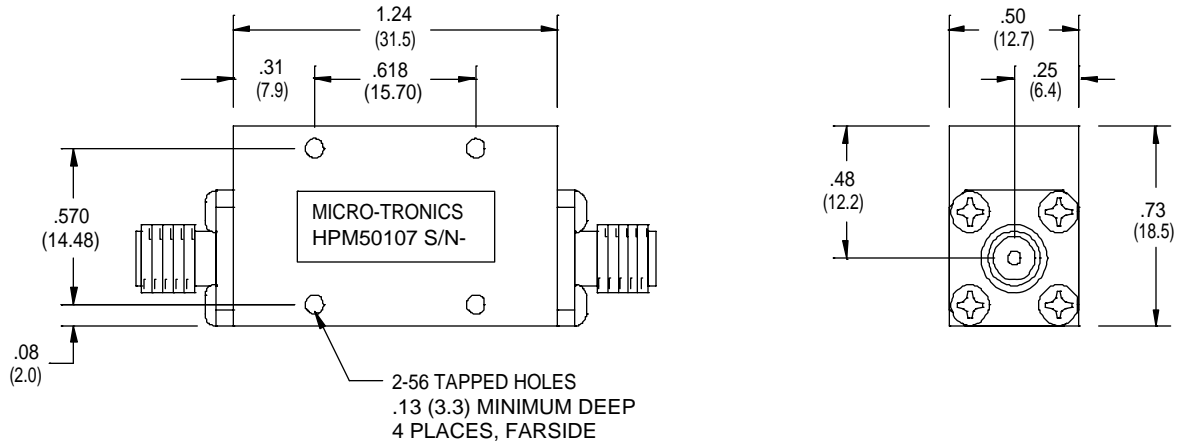
Micro-Tronics is an operating division of O.M. Jones, Inc.

Telephone: 209-532-1008

Facsimile: 209-532-1009

e-mail: sales@micro-tronics.net

-Model HPM50107



Micro-Tronics Model HPM50107 was specifically designed to reject DC to 7200 MHz while maintaining low insertion loss and a broad upper passband. The basic highpass filter design can also be adapted to custom applications.

Specifications:	
Passband (MHz)	8000 to 18000
Insertion Loss:	2.0 dB maximum
Passband VSWR:	2.0:1 maximum
Stopband:	60 dB min from 0 to 7200
Operating Power:	2W max

Connectors:

Model #:

HPM50107:	SMA Female – SMA Female
HPM50107-01:	SMA Male – SMA Female
HPM50107-02:	SMA Female – SMA Male
HPM50107-03:	SMA Male – SMA Male

HPM50107 Typical Performance Data

