

The wise choice



# Micro-Tronics

for all your filter needs

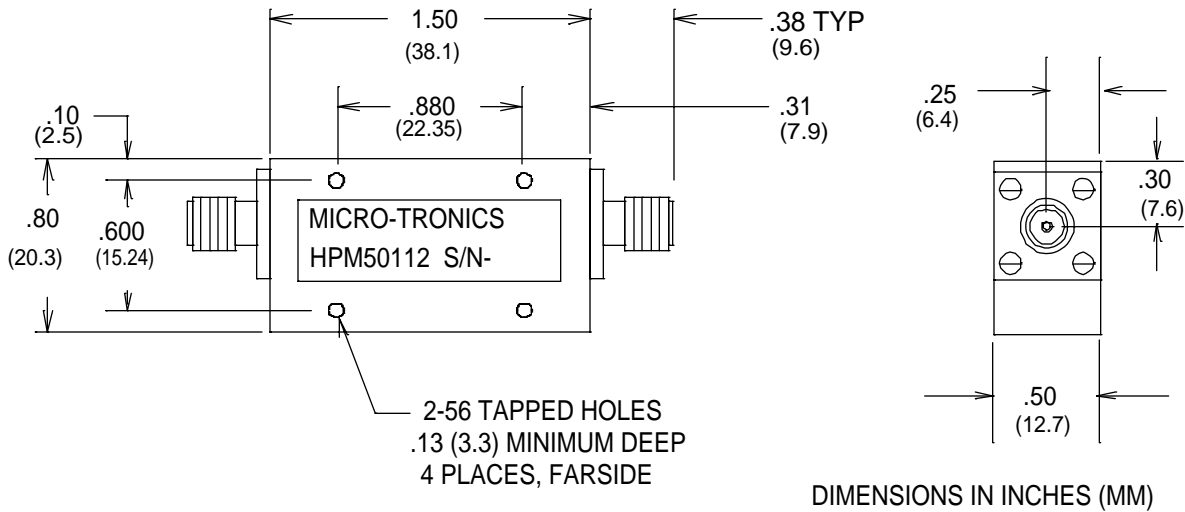
Micro-Tronics is an operating division of O.M. Jones, Inc.

Telephone: 209-532-1008

Facsimile: 209-532-1009

e-mail: sales@micro-tronics.net

## -Model HPM50112



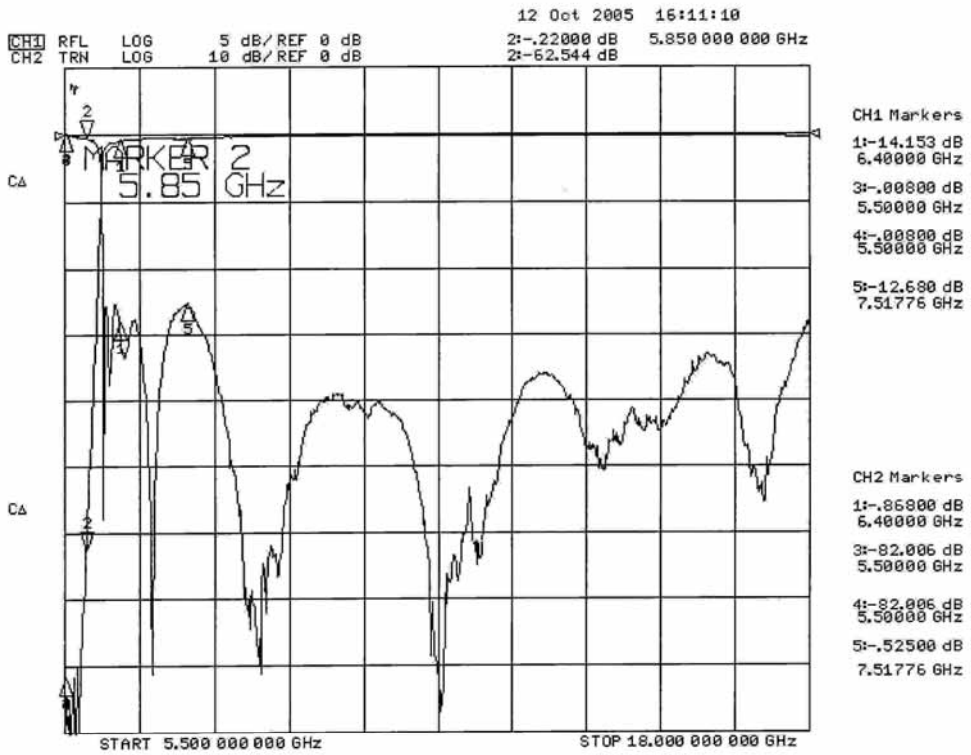
Micro-Tronics Model HPM50112 was specifically designed to reject DC to 5850 MHz while maintaining low insertion loss and a broad upper passband. The basic highpass filter design can also be adapted to custom applications.

Specifications:	
Passband (MHz)	6400 to 18000
Insertion Loss:	1.2 dB maximum
Passband VSWR:	1.7:1 maximum
Stopband:	55 dB min from 0 to 5850
Operating Power:	2W max

### Connectors:

#### Model #:

HPM50112:	SMA Female – SMA Female
HPM50112-01:	SMA Male – SMA Female
HPM50112-02:	SMA Female – SMA Male
HPM50112-03:	SMA Male – SMA Male



HPM50112  
Typical Performance Data