

The wise choice



Micro-Tronics

for all your filter needs

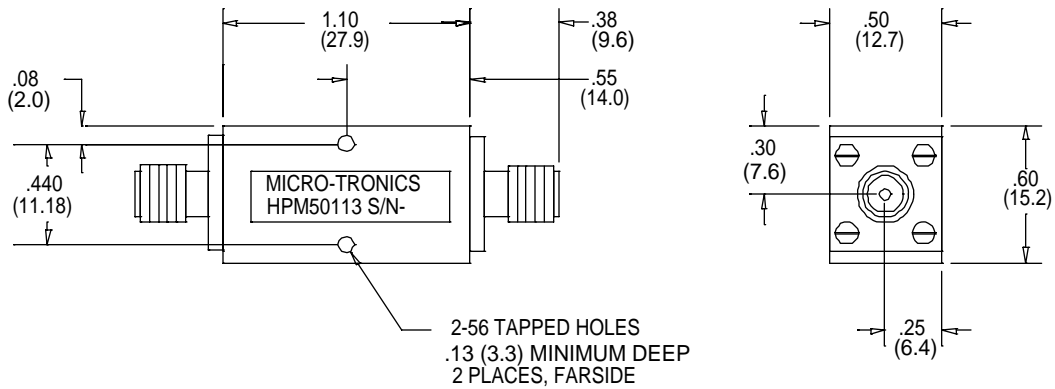
Micro-Tronics is an operating division of O.M. Jones, Inc.

Telephone: 209-532-1008

Facsimile: 209-532-1009

e-mail: sales@micro-tronics.net

-Model HPM50113



DIMENSIONS IN INCHES (MM)

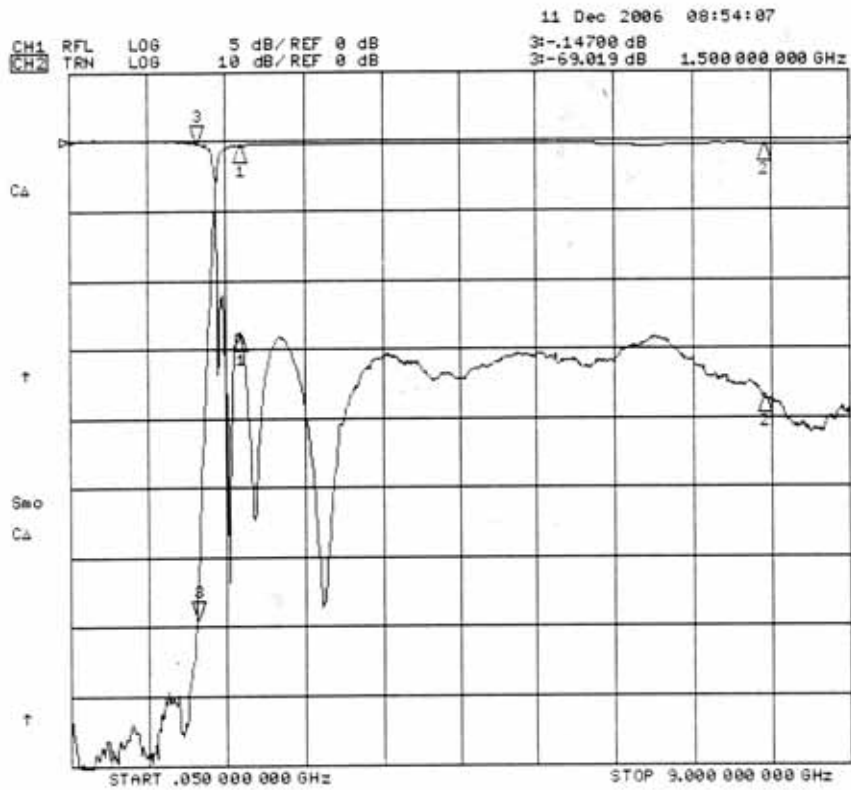
Micro-Tronics Model HPM50113 was specifically designed to reject DC to 1500 MHz while maintaining low insertion loss and a broad upper passband. The basic highpass filter design can also be adapted to custom applications.

Specifications:	
Passband (MHz)	2000 to 8000
Insertion Loss:	1.0 dB maximum
Passband VSWR:	1.7:1 maximum
Stopband:	60 dB min from 0 to 1500
Operating Power:	2W max

Connectors:

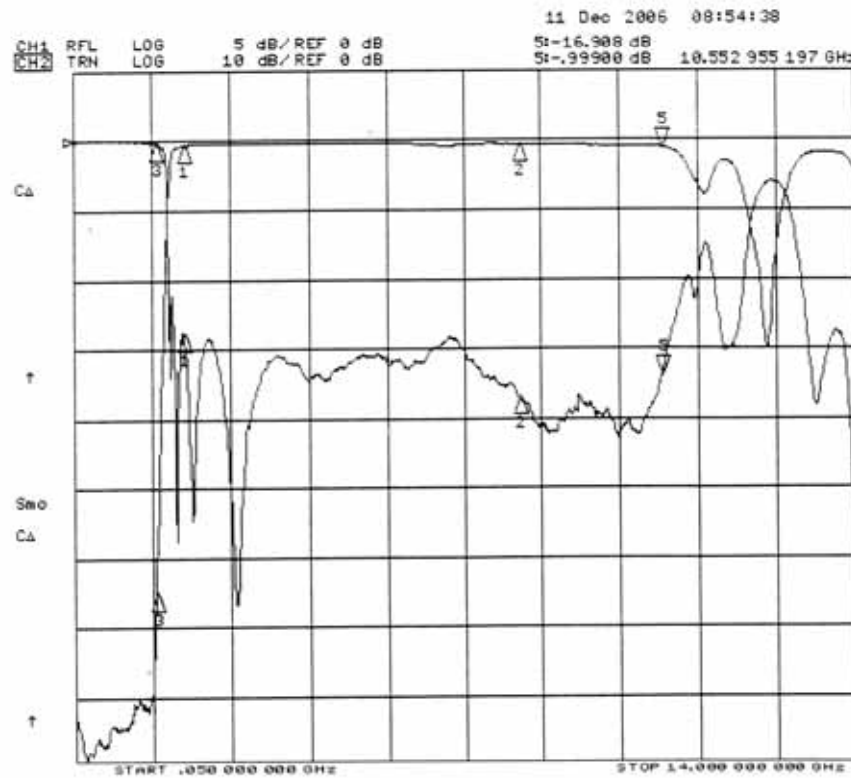
Model #:

HPM50113:	SMA Female – SMA Female
HPM50113-01:	SMA Male – SMA Female
HPM50113-02:	SMA Female – SMA Male
HPM50113-03:	SMA Male – SMA Male



CH1 Markers
 11-13.879 dB
 2.00000 GHz
 21-18.475 dB
 8.00000 GHz

CH2 Markers
 11-67300 dB
 2.00000 GHz
 21-52500 dB
 8.00000 GHz



CH1 Markers
 11-13.925 dB
 2.00000 GHz
 21-18.473 dB
 8.00000 GHz
 31-16700 dB
 1.50000 GHz

CH2 Markers
 11-66400 dB
 2.00000 GHz
 21-53000 dB
 8.00000 GHz
 31-65.179 dB
 1.50000 GHz