

The wise choice



Micro-Tronics

for all your filter needs

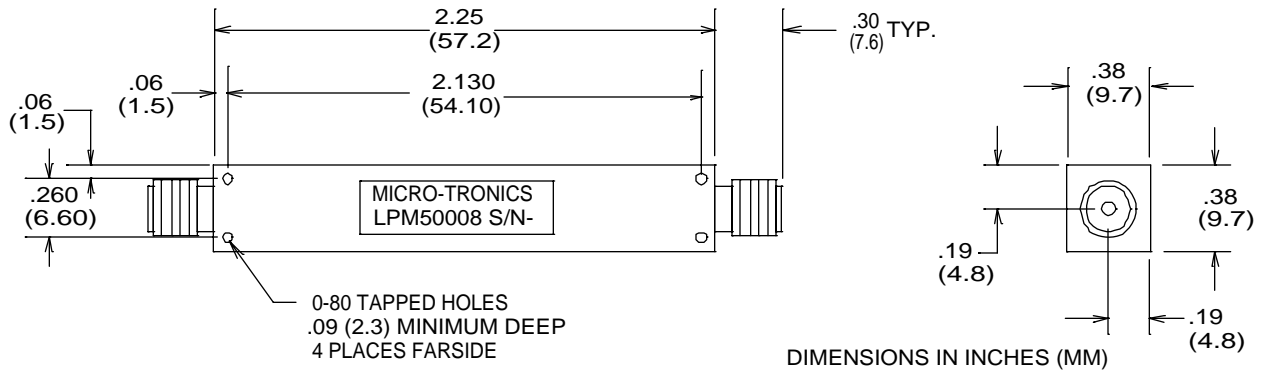
Micro-Tronics is an operating division of O.M. Jones, Inc.

Telephone: 209-532-1008

Facsimile: 209-532-1009

e-mail: sales@micro-tronics.net

-Model LPM50008



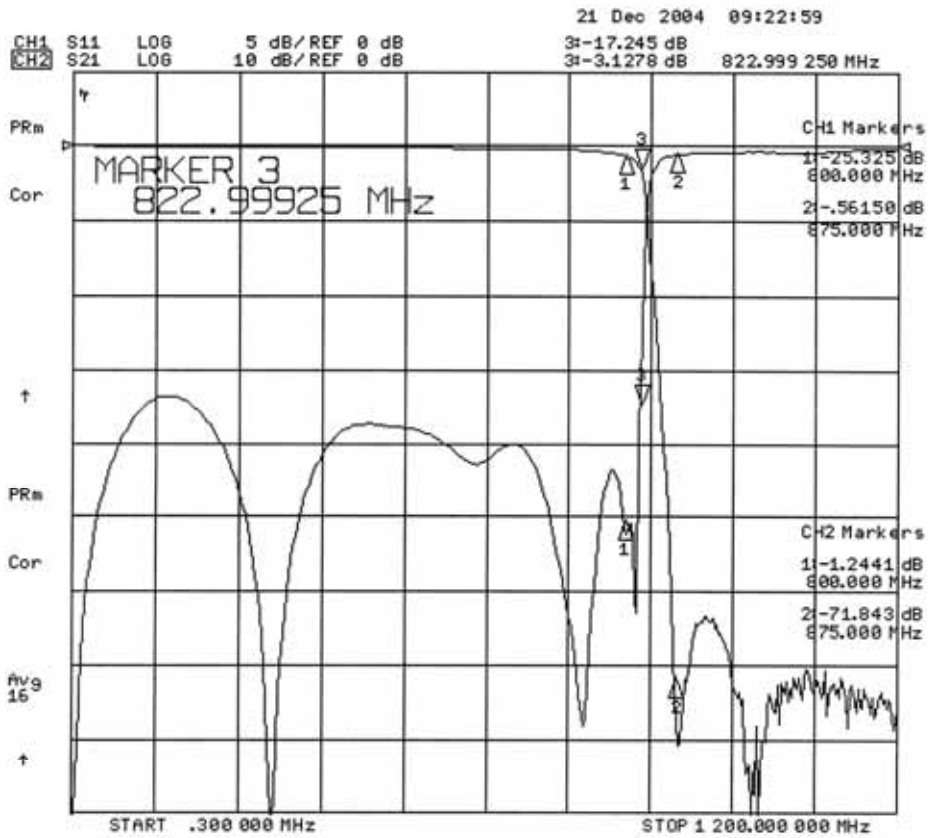
Micro-Tronics Model LPM50008 was specifically designed to pass DC to 800 MHz and reject 875 MHz, while maintaining low insertion loss and a broad upper stopband. The basic lowpass filter design can also be adapted to custom applications.

Specifications:	
Passband (MHz)	0 to 800
Passband Insertion Loss:	2.0 dB maximum
Passband VSWR:	1.5:1 maximum
Stopband:	60 dB min from 875 to 10000
Operating Power:	2W max

Connectors:

Model #:

LPM50008:	SMA Female – SMA Female
LPM50008-01:	SMA Male – SMA Female
LPM50008-02:	SMA Female – SMA Male
LPM50008-03:	SMA Male – SMA Male



LPM50008 PHOTO - NO MODS
J8255
12-21-04

The wise choice



Micro-Tronics

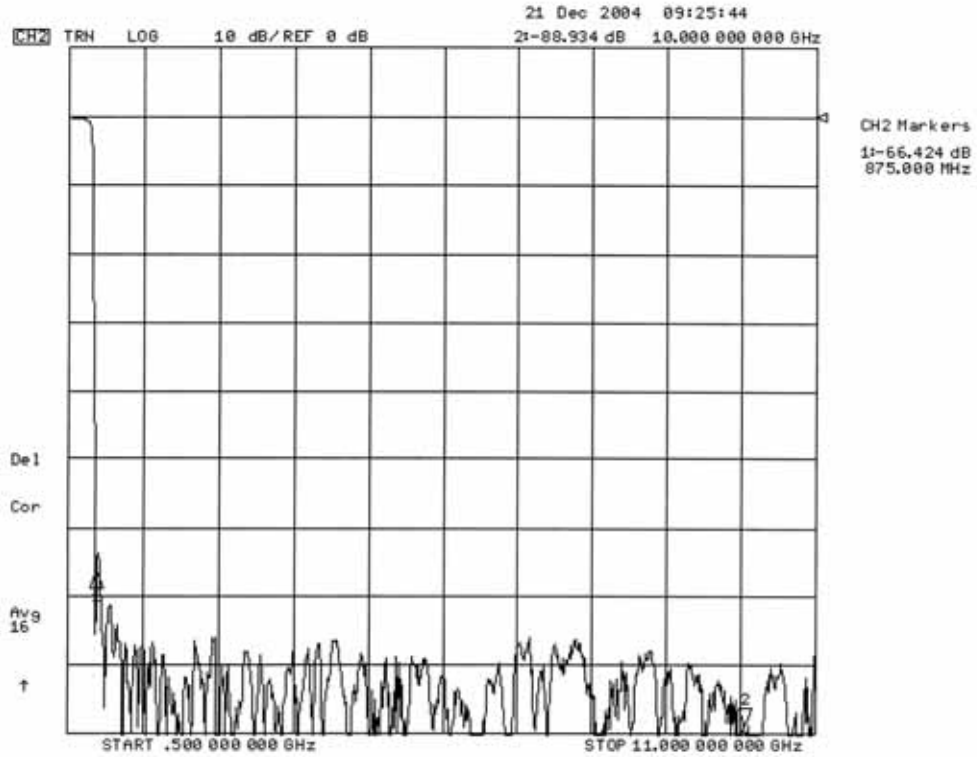
for all your filter needs

Micro-Tronics is an operating division of O.M. Jones, Inc.

Telephone: 209-532-1008

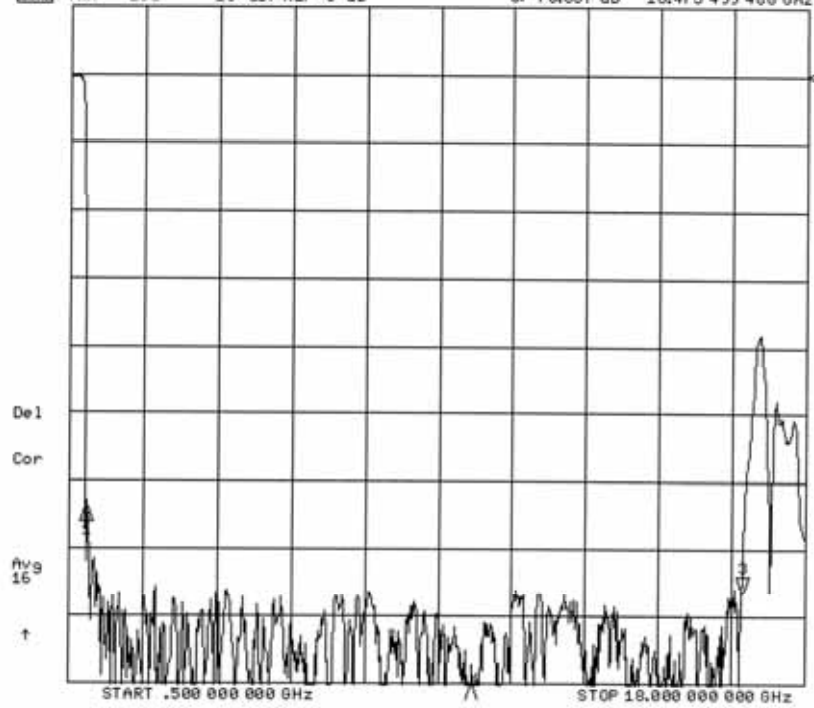
Facsimile: 209-532-1009

e-mail: sales@micro-tronics.net



21 Dec 2004 09:33:20

CH2 TRN LOG 10 dB/REF 0 dB 31-76.557 dB 16.475 499 488 GHz



CH2 Markers
1-63.634 dB
875.000 MHz
2-91.552 dB
18.000 GHz