

The wise choice



# Micro-Tronics

for all your filter needs

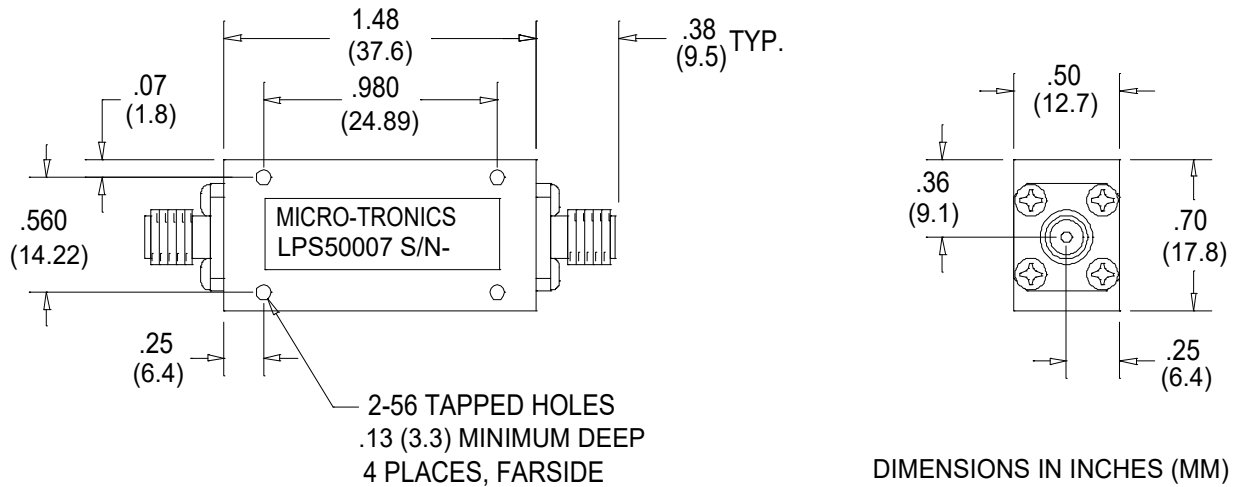
Micro-Tronics is an operating division of O.M. Jones, Inc.

Telephone: 209-532-1008

Facsimile: 209-532-1009

e-mail: sales@micro-tronics.net

## -Model LPS50007



Micro-Tronics Model LPS50007 was specifically designed to pass DC to 8000 MHz and reject 9000 MHz, while maintaining low insertion loss and a broad upper stopband. The basic lowpass filter design can also be adapted to custom applications.

Specifications:	
Passband (MHz)	0 to 8000
Passband Insertion Loss:	1.0 dB maximum
Passband VSWR:	1.7:1 maximum
Stopband:	50 dB min from 9000 to 18000 MHz
Operating Power:	2W max

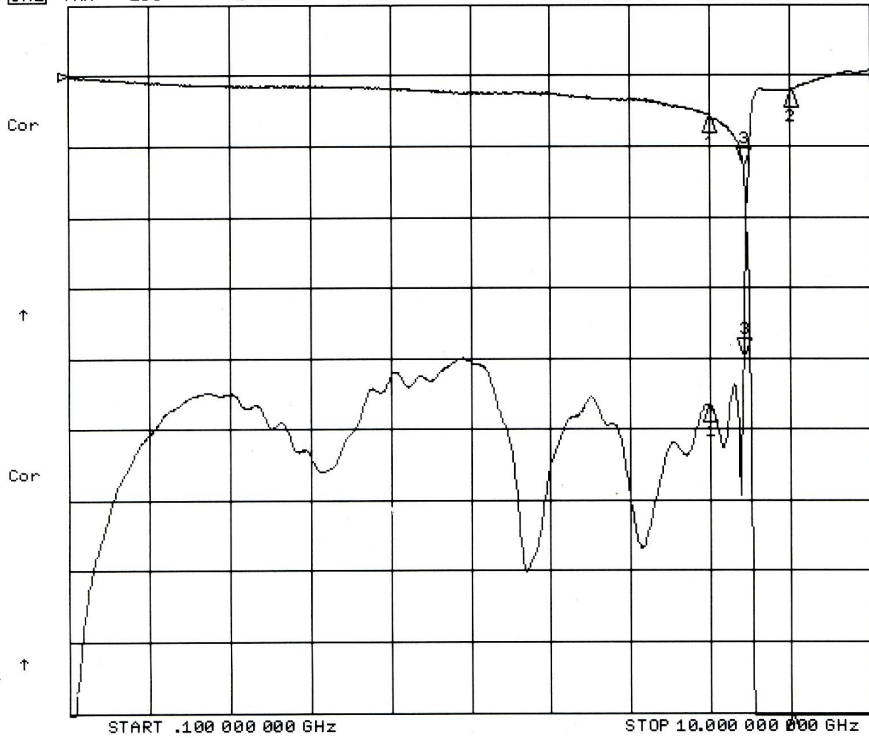
### Connectors:

#### Model #:

LPS50007:	SMA Female – SMA Female
LPS50007-01:	SMA Male – SMA Female
LPS50007-02:	SMA Female – SMA Male
LPS50007-03:	SMA Male – SMA Male

4 Apr 2006 10:15:17

CH1 RFL LOG 5 dB/REF 0 dB 3:-19.883 dB  
CH2 TRN LOG 1 dB/REF 0 dB 3:-1.2800 dB 8.424 910 130 GHz



CH1 Markers

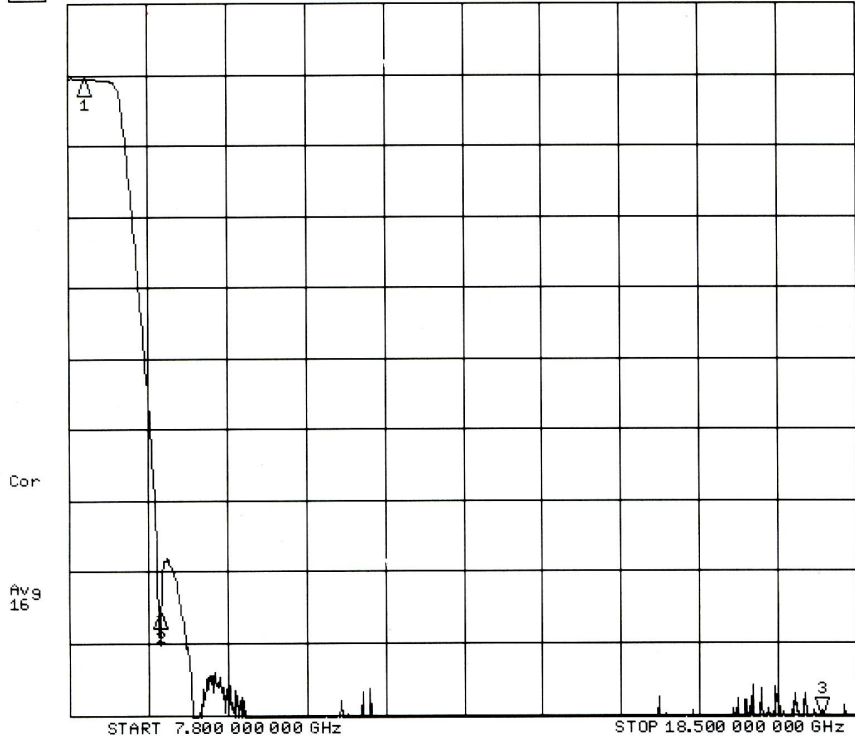
1:-23.278 dB  
8.00000 GHz  
2:-.98100 dB  
9.00000 GHz

CH2 Markers

1:-.55800 dB  
8.00000 GHz  
2:-73.400 dB  
9.00000 GHz

4 Apr 2006 10:18:36

CH2 TRN LOG 10 dB/REF 0 dB 3:-95.893 dB 18.000 000 000 GHz



CH2 Markers

1:-.52400 dB  
8.00000 GHz  
2:-75.561 dB  
9.00000 GHz