

The wise choice



Micro-Tronics

for all your filter needs

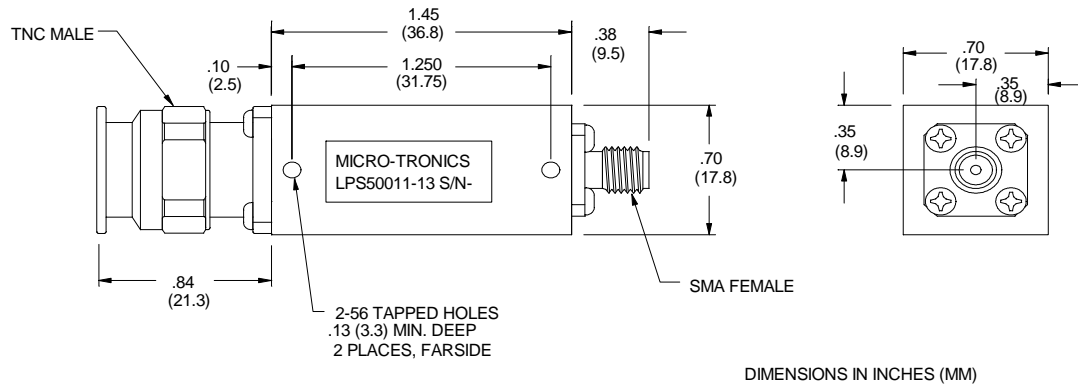
Micro-Tronics is an operating division of O.M. Jones, Inc.

Telephone: 209-532-1008

Facsimile: 209-532-1009

e-mail: sales@micro-tronics.net

-Model LPS50011-13



PRELIMINARY

Micro-Tronics Model LPS50011-13 was specifically designed to pass DC to 18 GHz and reject 19.3-20.4 GHz. The basic lowpass filter design can also be adapted to custom applications.

Specifications:	
Passband (MHz)	0 to 18
Passband Insertion Loss:	3.6 dB maximum
Passband VSWR:	2.0:1 maximum
Passband Phase Matching: (optional)	+/-10 deg maximum
Stopband:	80 dB min from 19.3 to 20.4 GHz
Operating Power:	7W max (at Passband)